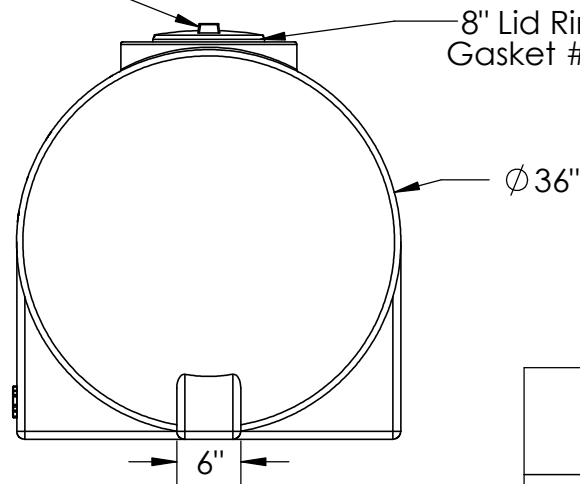
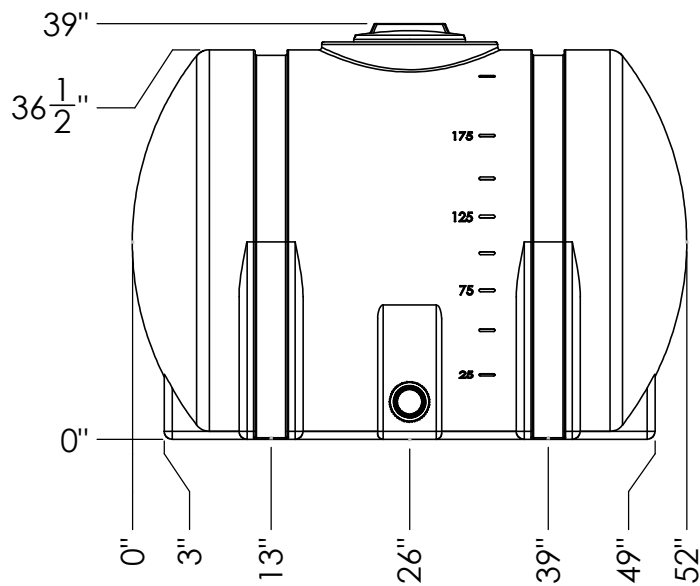


2" Bulkhead  
PP Fitting  
#970211

8" Closed  
Non-Vented Lid  
# 970325

8" Lid Ring with  
Gasket # 970326



200 Gal Legged Tank  
w/ 2" Side Fitting &  
Gasketed Ring & Lid



1390 Neubrecht Road  
Lima, Ohio 45801

STOCK NO.  
**23646, 23648**

REV  
**A**

DO NOT SCALE DRAWING

WEIGHT: 68 lbs.

DIMENSIONS ARE IN INCHES  
TOLERANCE: ± 1/4"

MATERIAL  
LLDPE - FDA resin

CAPACITY  
200 Gal

GRADUATIONS  
25 Gal

NOMINAL WALL THICKNESS  
1/4"

DRAWN  
NAME  
NJV  
DATE  
4/17/24

APPROVED

REVISIONS

COMMENTS:  
Natural, Black  
UV Stabilized

**PROPRIETARY AND CONFIDENTIAL**

THE INFORMATION CONTAINED IN THIS  
DRAWING IS THE SOLE PROPERTY OF  
TAMCO. ANY REPRODUCTION IN PART  
OR AS A WHOLE WITHOUT THE WRITTEN  
PERMISSION OF TAMCO IS PROHIBITED.

MAX. OPERATING TEMP. 140°F  
INTERMITTENT SERVICE TO 160°F  
SEE CHEMICAL RESISTANCE  
CHART FOR COMPATIBILITY